

SD3133

7W Square Surface Mounted Downlight

Description

Compact body design;
Even light distribution;
Downlight for indoor use;

Finish
Black/White

Material
Aluminium



TECHNICAL CHARACTERISTICS

Light source

Light source: SMD Osram chip
Output (W): 6.48W (180mA 36V)
Total power consumption (W): 7W
Color temperature: 2700K/3000K/4000K
CRI: ≥ 90
Photobiological risk: RG1
Real Lumen: 518lm
Qty Leds: 1
Lm/Real W: 74
Life Time: 50.000h L90B20
MacAdam steps: 3
UGR: 19

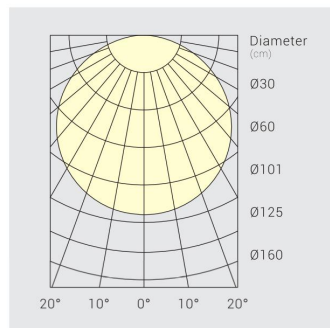
GEAR

This product is supplied with gear.
Built-in on/off DC flicker free driver

Luminaire

Downlight suitable for indoor area
crossing: No
Warranty: 5 Years

LIGHT DISTRIBUTION for 3000K



BEAM :



The photograph may not match the reference exactly. Please read the product description to identify the finish.